

MICRO SWITCH

FREEPORT, ILLINOIS, U.S.A.
A DIVISION OF HONEYWELL

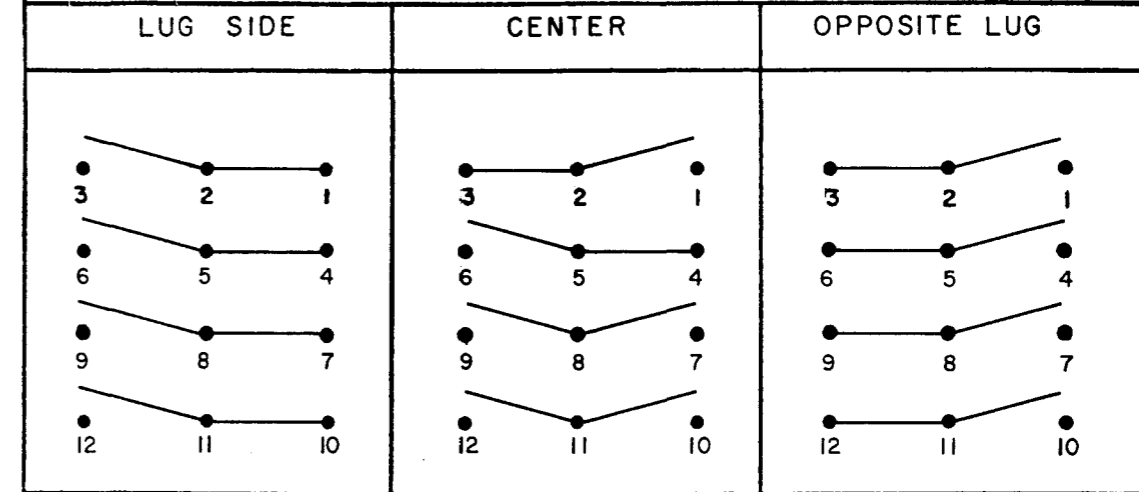
FED. MFG. CODE 91929

**SWITCH-TOGGLE
FLUSH KEY**

CATALOG LISTING
4TP66-10

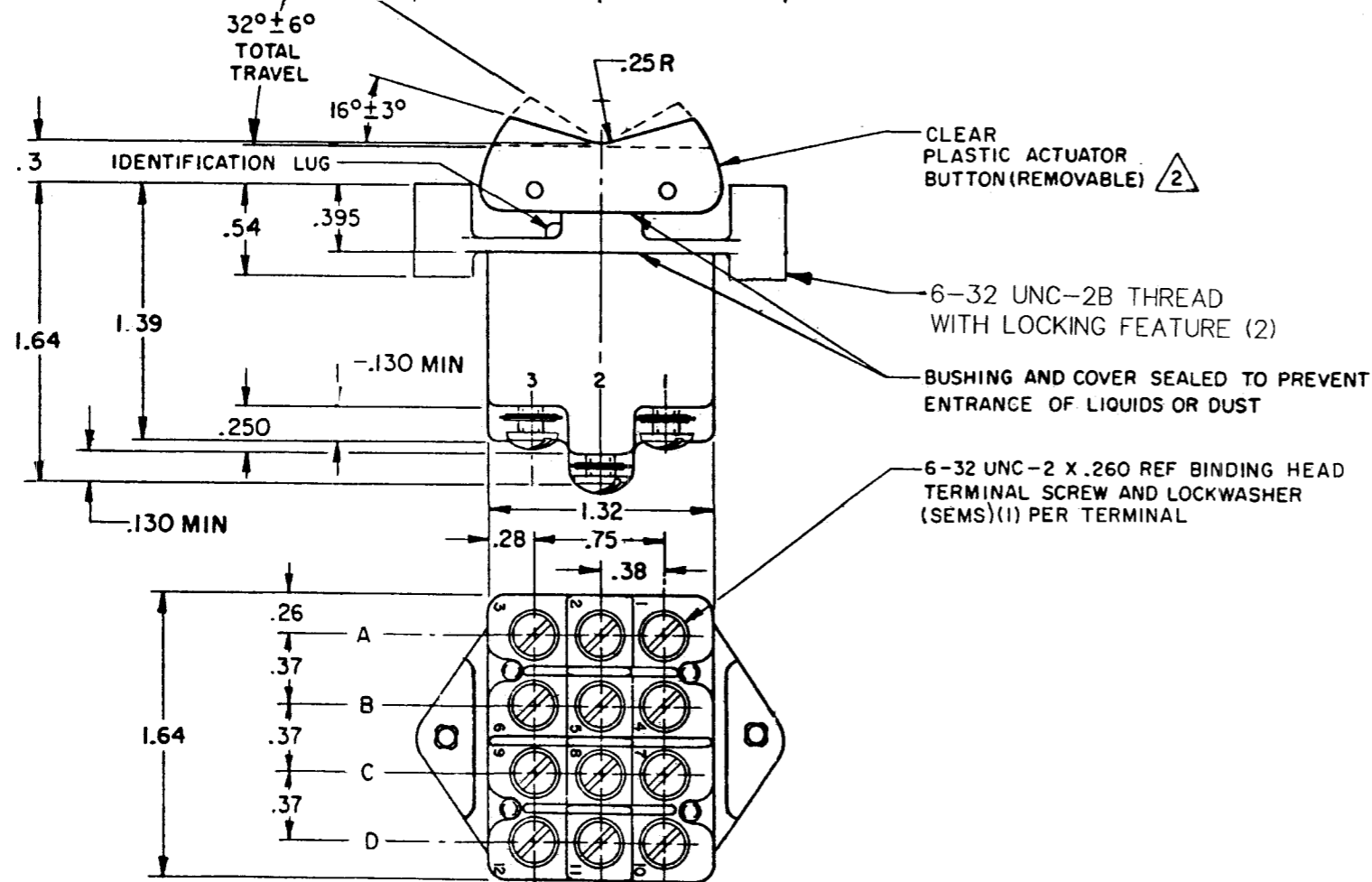
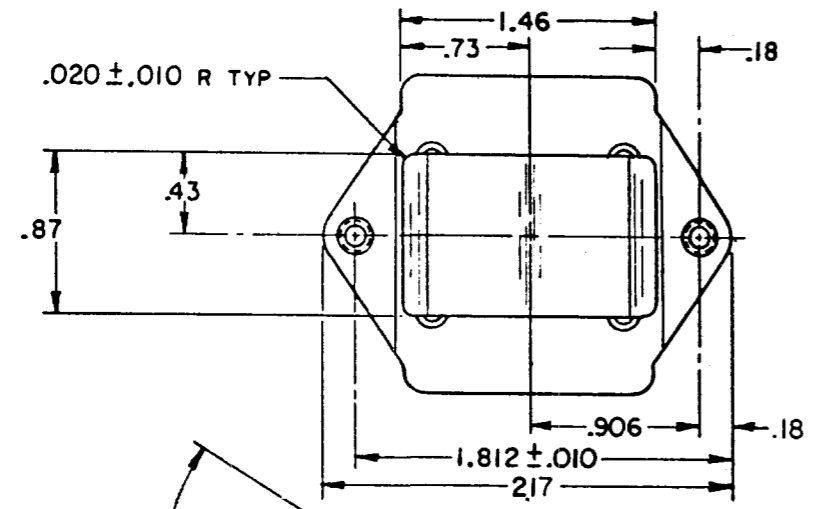
THIS DRAWING COVERS A PROPRIETARY ITEM AND IS THE PROPERTY OF MICRO SWITCH, A DIVISION OF MINNEAPOLIS-HONEYWELL REGULATOR CO. THIS DRAWING IS NOT TO BE COPIED OR USED WITHOUT THE APPROVAL OF MICRO SWITCH.

CIRCUIT DIAGRAM



ELECTRICAL DATA

15A-125, 250 OR 277 VAC
1/2 HP-125VAC; 1HP-250, 277VAC
5A-125VAC "L" CODE L191



NOTES

- 1 - TERMINAL DESIGNATION AND MICRO SWITCH CATALOG LISTING MARKED ON SIDE OF SWITCH
- FURNISHED UNASSEMBLED
- 3 - THESE SWITCHES WILL WITHSTAND TEMPERATURE OF 160°F

CATALOG LISTING
4TP66-10
 PAGE 1 OF 1
 RELEASE NO. PR-6680
 REPLACES
 ISSUE **M**
 11
 CHECK
 REVISIONS

A	CO	39765	SJS	2 FEB 78
B	CO	44270	TMM	7 DEC 78
C	CO	45979	SJB	30 APR 79
D	CO	47320	CEB	4 MAR 80
E	CO	47824	GLW	6 MAY 80
F	CO	49167	JAP	16 JUL 81
G	CO	60064	SJS	19 AUG 86
H	CO	77697	TSM	15 JUN 94
J	CO	79047	SAD	12 JAN 95
K	CO	94417	CST	24 NOV 99

 DRAWN
 J A L 25 AUG 77
 CHECK
 GLH 25 AUG 77
 FORMTEK
 FO-92894

SCALE FULL	
DO NOT SCALE PRINT	
UNLESS OTHERWISE NOTED	
DIMENSIONS ARE IN INCHES	
TOLERANCES ARE:	
ONE PLACE	(.01) ±.030
TWO PLACE	(.00) ±.015
THREE PLACE	(.000) ±.005
ANGLES	±
WEIGHT .22 LB EST	